



Charon HTS-L01/L02 Halfheight turnstiles



PRINCIPLE

Functional turnstile with pleasing design for the automatic entrance control in public swimming pools and leisure centers. Installation within view of reception staff. The unit is very interesting for ticketing system integrators.

FINISH

Stainless steel satin finish (grit 320)

Matching swing doors and barrier elements complete the range and offer attractive solutions.

CONSTRUCTION

Frame

Curved stainless steel tube
Ø 40 mm, housing of drive unit in passage direction

Turnstile

Stainless steel column Ø 89 mm,
barrier elements in stainless steel tubes Ø 40 mm

Guiding elements

Single unit HTS-L01:
curved stainless steel plate 3 mm,
satin finish, with additional post
Double unit HTS-L02:
2 connection elements in toughened glass 10 mm

FUNCTION

Passage side

Single unit HTS-L01:
entry right or left side
standard: entry right

Access

Entry and exit direction electrically controlled

Drive system

After a release and a manual push, the servo positioning drive turns the door wing cross with low force automatically by 90°. In case nobody passes, the release is cancelled again after an adjustable time.

Safety devices

Due to low forces (max. 40 Nm) not necessary.

In case of power failure

Behaviour in case of power failure adjustable, both directions free or blocked.

standard: both directions free

In case of power restoration

Door turns automatically in home position

● alternative ○ optional

We reserve the right for technical modifications

Charon

HTS-L01/L02

Halfheight turnstiles

ELECTRICAL EQUIPMENT

Electric data

Control unit in drive housing

Power supply:

230 VAC, 95 VA, 50 - 60 Hz

Control voltage: 24 VDC

Control possibilities

Various setting possibilities via PC (RS 232) or handheld programming device,

e. g. speeds
(Vmin, Vmax), Time Out.

In- / Outputs freely programmable:

4 inputs, 24 VDC:

(standard set up:
single release entry / exit, free passage, block)

8 outputs, 24 VDC,

3 relay outputs, potential-free

Release

by means of a potential-free normally open contact, e. g. push-button or card reader. Card reader installation in separate reader column or console on tube frame.

INSTALLATION

On finished floor (FFL), suitable for outside installation.

OPTIONS

- Console for reader installation, stainless steel or plastic, lacquered in RAL 9006, fixed on frame
- stainless steel plate for surface mounted reader, fixed on frame
- release push button with fixing console, installed on frame
- operating panel, for concealed or surface mounted installation
- special height 1380 mm
- personal guiding elements
- glass covering on top of unit (see photo)

GBD d.o.o.

SRB -11000 Beograd

Radoslava Grujića 21

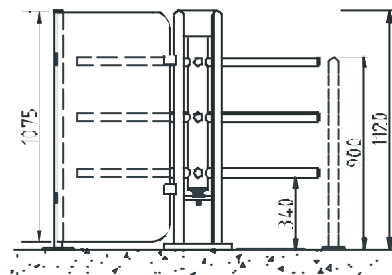
Tel/fax: +381 11 3448 471

Tel/fax: +381 11 3448 472

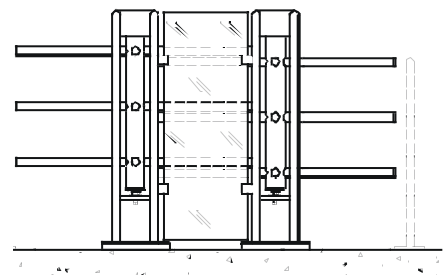
Internet: www.gbd.co.yu

E-mail: office@gbd.co.yu

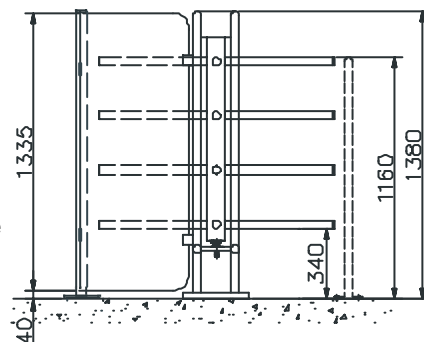
VIEW Charon HTS-L01



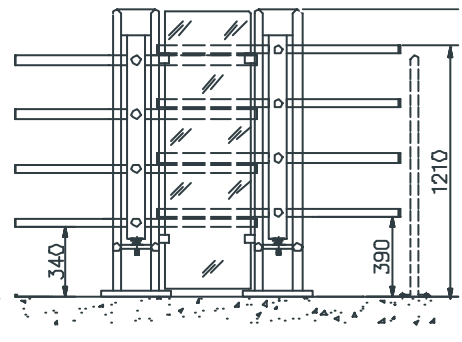
VIEW Charon HTS-L02



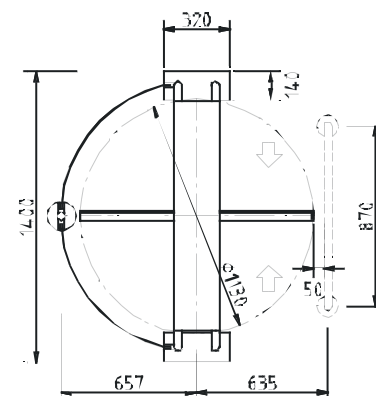
VIEW Charon HTS-L01
Special height 1380 mm



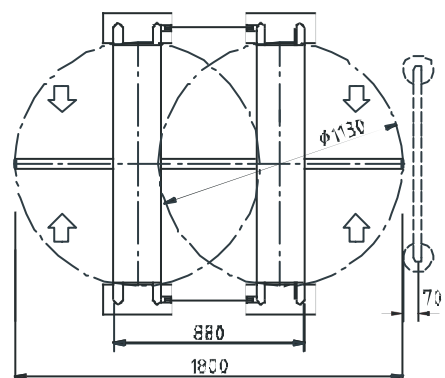
VIEW Charon HTS-L02
Special height 1380 mm



GROUND PLAN Charon HTS-L01



GROUND PLAN Charon HTS-L02



● alternative ○ optional

We reserve the right for technical modifications